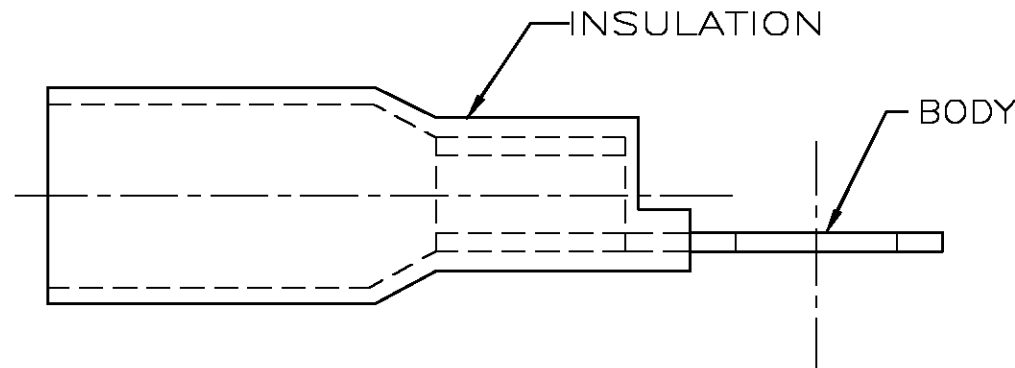
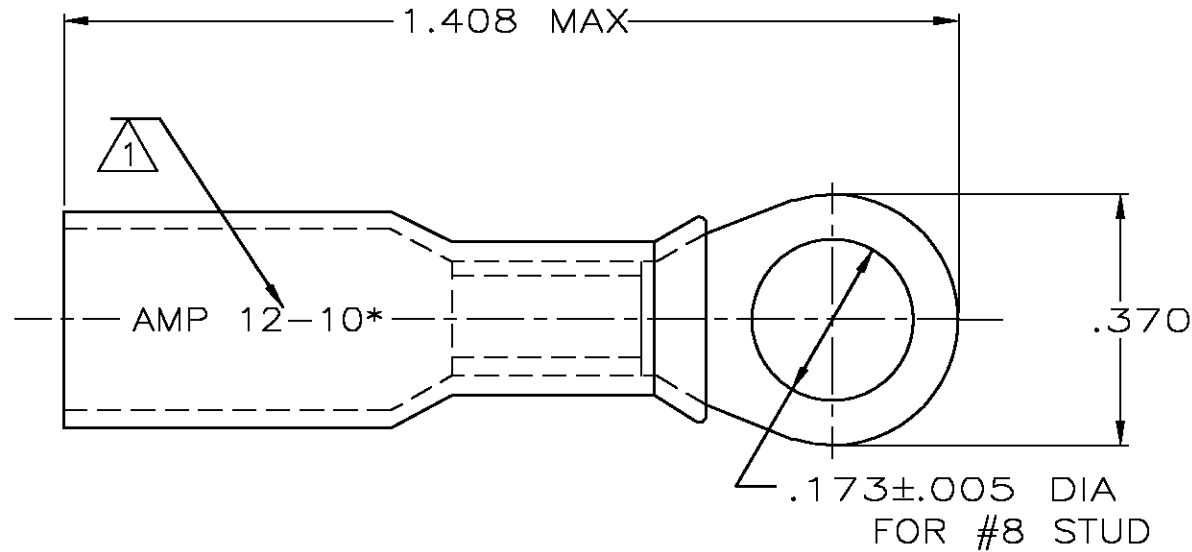


THIS DRAWING IS UNPUBLISHED. RELEASED FOR PUBLICATION ,19
 © COPYRIGHT 19 BY AMP INCORPORATED. ALL INTERNATIONAL RIGHTS RESERVED.

| LOC | DIST | P | F | REVISIONS | | | DATE | APPD |
|-----|------|---|---|-----------|-----|----------------------|---------|-------|
| G | 14 | | | ZONE | LTR | DESCRIPTION | | |
| | | | | | C | REV PER 0G3A-0001-03 | 07JAN03 | JR TM |

| | | |
|--------------------------|-----------------------|-----------------------|
| AMP WIRE RANGE | Listed | Certified |
| 12-10 AWG STRANDED | 12-10 AWG STRANDED | 12-10 AWG STRANDED |



NOTES:

- 1 STAMP AMP 12-10* APPROX AS SHOWN
- 2 WIRE INSULATION .240 DIA MAX
- 3 TONGUE MATERIAL THK IS .040±.002
- 4 NO UL APPROVAL AND NO CSA APPROVAL
- 5 PRELIMINARY - NOT FOR PRODUCTION

| | | |
|------------------------|--|---------------|
| 1500 | ON TAPE, REEL | 4 2-55856-1 5 |
| 25 | LOOSE PIECE | 8-55856-3 |
| 500 | LOOSE PIECE | 55856-1 |
| QTY | PACKAGE TYPE | PART NO |
| DR 6/93 S S GOULDEN | AMP AMP Incorporated Harrisburg, PA 17105-3608 | |
| CHK 6/93 R HERSEY | NAME | |
| APPD 6/93 B BARE | TERMINAL, RING TONGUE, SEALABLE HEAT SHRINKABLE | |
| APPD 6/93 M ELLIS | SIZE | CAGE CODE |
| PRODUCT SPEC | B | 00779 |
| APPLICATION SPEC | SCALE | DRAWING NO |
| WEIGHT - | NTS | C-55856 |
| | SHEET | 1 OF 1 |

AMP INCORPORATED
CUSTOMER SERVICE SYSTEMS

| | |
|---|--|
| FOR ADDITIONAL PRODUCT INFORMATION OR COPIES OF DRAWINGS AND TECHNICAL DOCUMENTS | PRODUCT INFORMATION CENTER 1-800-522-6752 |
| FOR APPLICATION TOOLING INFORMATION | TOOLING ASSISTANCE CENTER 1-800-722-1111 |
| FOR ORDER ENTRY | 1-800-526-5142 |

MAX RECOMMENDED OPERATING
TEMPERATURE:
125° C MAX

VOLTAGE RATING:
600V MAX (BUILDING WIRING)
1000V MAX (FIXTURES & SIGNS)

CIRCULAR MIL AREA:
2.62-6.64mm² [5180-13100]
STRANDED

THIS DRAWING IS A CONTROLLED DOCUMENT FOR
AMP INCORPORATED. IT IS SUBJECT TO CHANGE
AND THE CONTROLLING ENGINEERING ORGANIZATION
SHOULD BE CONTACTED FOR THE LATEST REVISION.

DO NOT SCALE PRINT.
UNLESS SPECIFIED
DIMENSION ARE IN INCHES
TOLERANCES ON:
2 PLC DEC ± .008
3 PLC DEC ± -
ANGLES ± -

MATERIAL
BODY: ETP COPPER
INSULATION: POLYOLEFIN
COLOR: YELLOW

FINISH
EDP TIN PLATED